

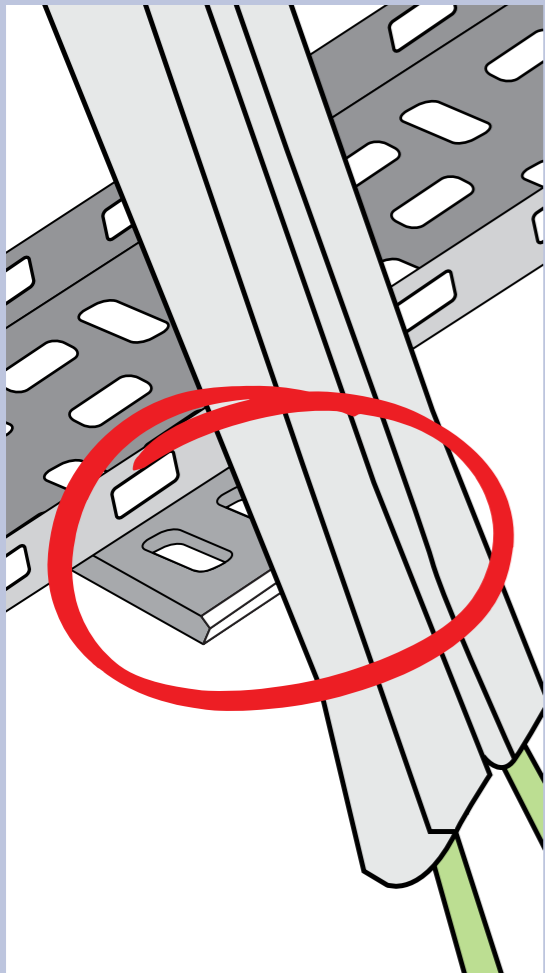


www.irata.org

# REPORT A PROBLEM. PREVENT A FATALITY.

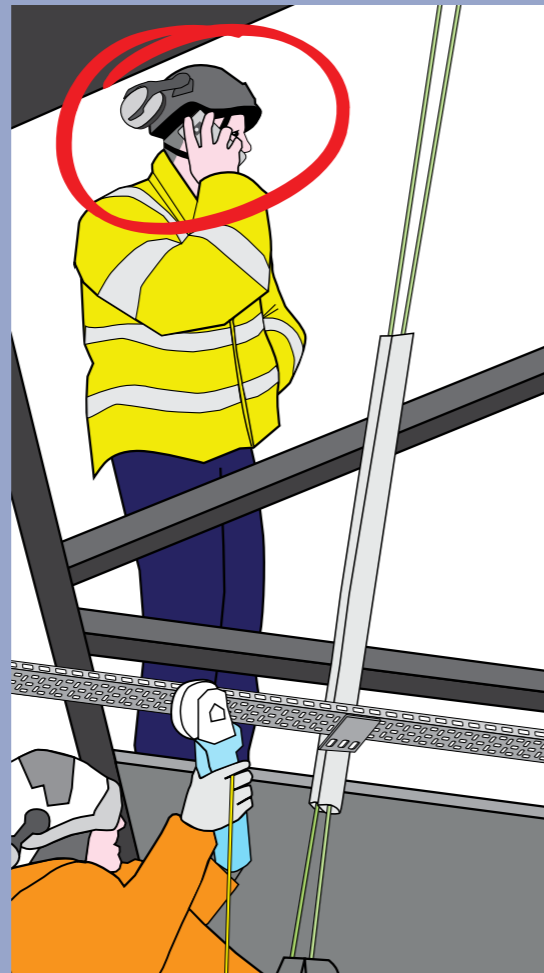
**UNSAFE  
CONDITION**

**REPORT IT**



**UNSAFE  
BEHAVIOUR**

**REPORT IT**



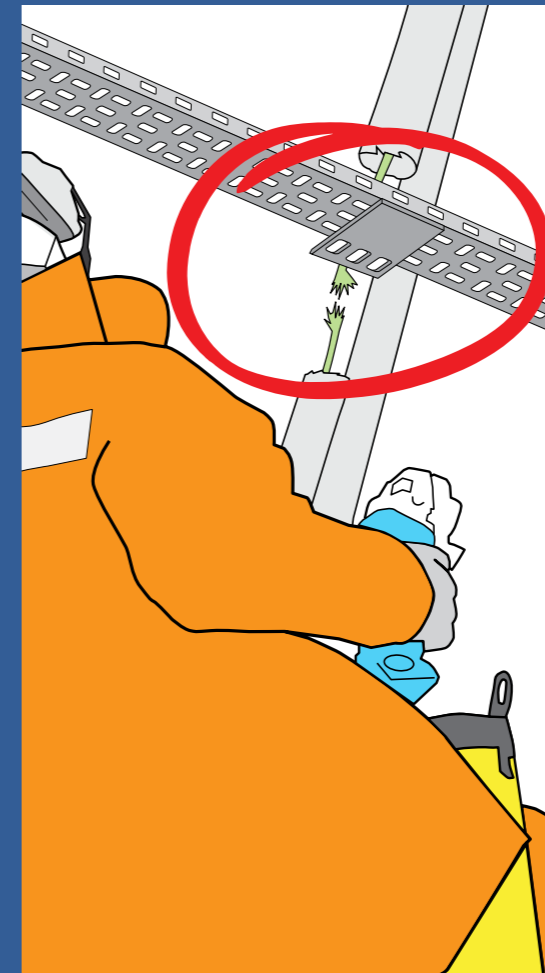
**DANGEROUS  
OCCURRENCE**

**REPORT IT**



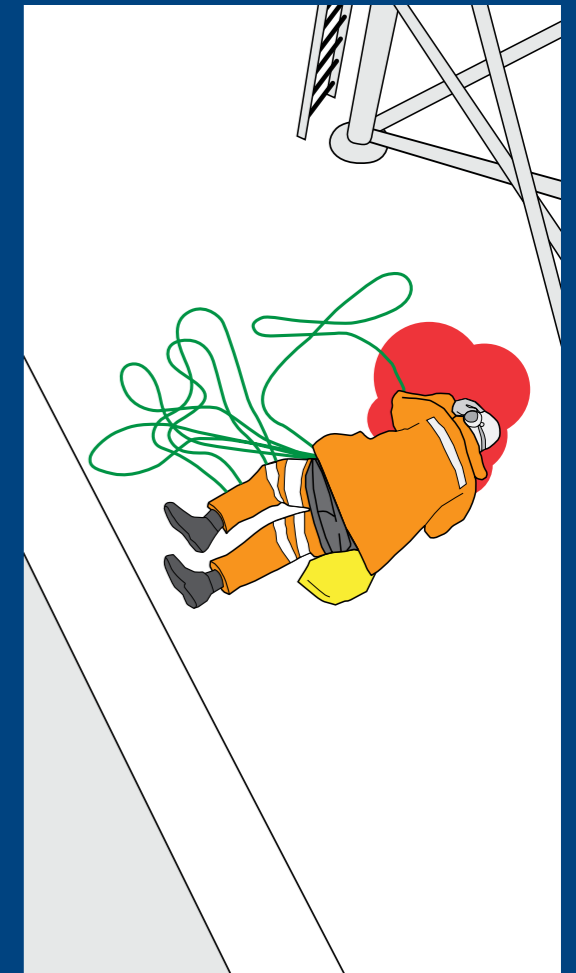
**INCIDENT**

**REPORT IT**



**FATALITY**

**PREVENT IT**



**REPORTING UNSAFE CONDITIONS, BEHAVIOURS, OCCURRENCES, AND INCIDENTS HELPS TO PRODUCE GUIDANCE AND INFORMATION WHICH MAY HELP SAVE LIVES.**